

Push Button, Momentary

SPB22-M11-RGB

Description

Panel mounted Push buttons are used in a wide variety of applications and can be executed (without) LED lights and with a latching or momentary contact.



Features

Mechanical Properties	Description
Switch Operations	Momentary
Working temperature	-30°C ~ 80°C
Operation Force	2.5 / 3N
Function	1NO1NC
Terminal	Solder Terminals
Protection rate	IP66 / IK10
Mechanical lifecycles	1.000.000 cycles
Material	SUS301 Silver Alloy PA66 (Black) Brass Ni Plated Brass Ag Plated Copper Ni Plated SUS304
Spring Contact Case Button Terminal Screw Body	
Mounting	Panel mount

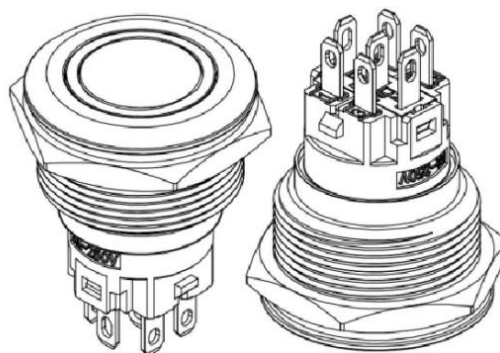
Push Button, Momentary

SPB22-M11-RGB

Electrical Properties	Description
Switching Voltage	1.5V-250VAC/DC
Switching Current	3mA~5A
LED	Included, common Cathode
Color LED	Red, Yellow, Blue, Green, White (two color, Multi-Color Customized)
LED Voltage	3~250VAC>DC
LED Current	1mA~20mA
LED Life	40.000h
Constant Resistance	<50mΩ
Insulation Resistance	>1000mΩ
Compressive Strength	>1900VACmin
Electrical life	2A/250VAC 200.000 cycles 3A/250VAC 50.000 cycles

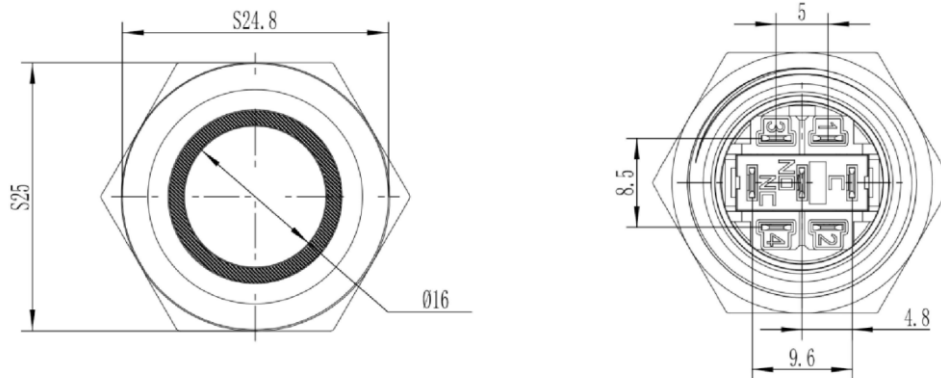
Dimensions

*unit: mm

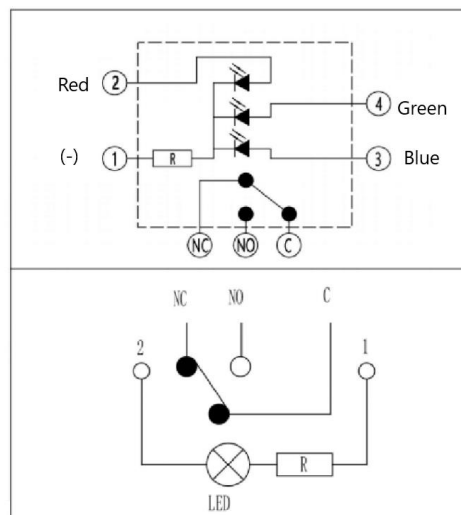


Push Button, Momentary

SPB22-M11-RGB



Electrical Diagram



Ordering information

Ordering can be done via www.summit-electronics.com or via info@summit-electronics.com. Please contact us for more information. Customisation of the product is available on request.

Technical support

For all product questions please contact us via info@summit-electronics.com

Push Button, Momentary

SPB22-M11-RGB



Document revision

Rev	Date	changes
V01.00	02-10-2023	First issue of document